

Schylling

BIG WHEEL®

THE ORIGINAL

16" Big Spin

Tools Needed:



Assembly Instructions

Scan to follow online



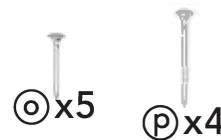
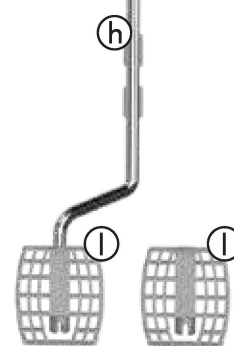
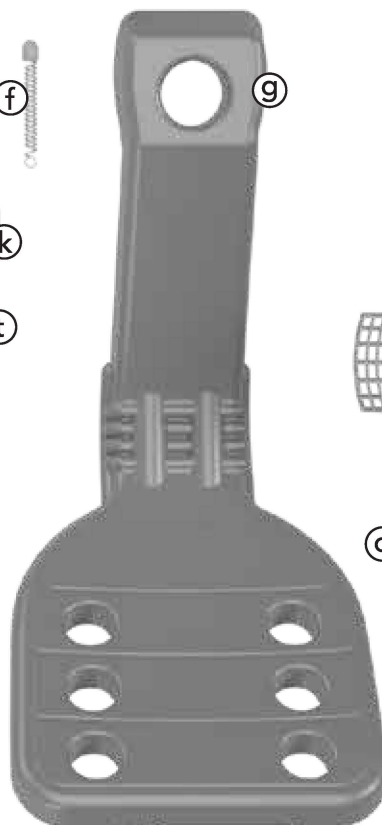
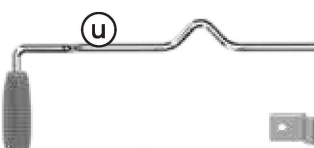
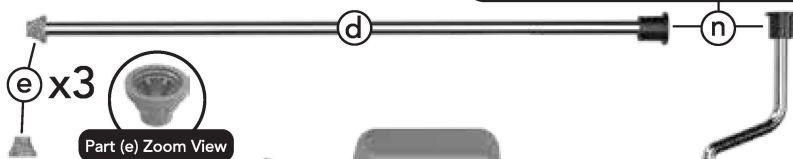
Thanks for your purchase - get ready for the ride of your life! If you have any issues with the assembly of your Big Wheel please reach out to our team online or via our toll-free number:



www.Big-Wheel.com | 800-541-2929



Remove Protective Endcap Tools (n)



AGES 3-7

WARNING: TO AVOID SERIOUS INJURY:

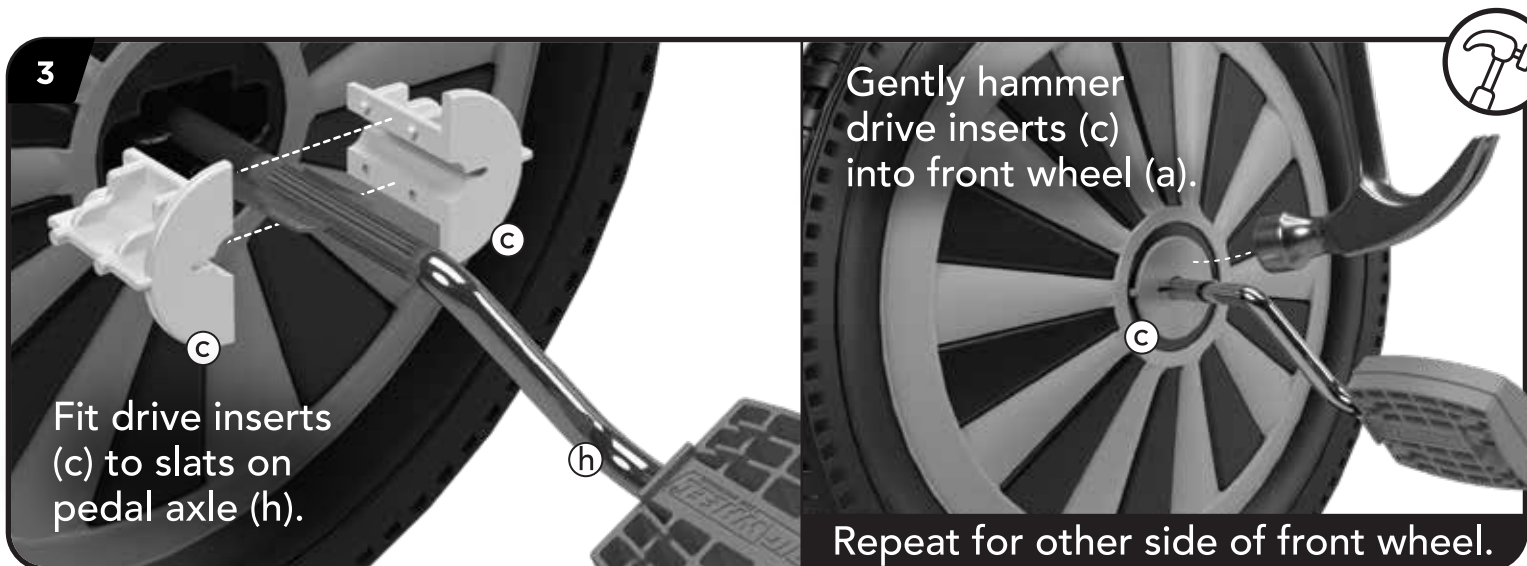
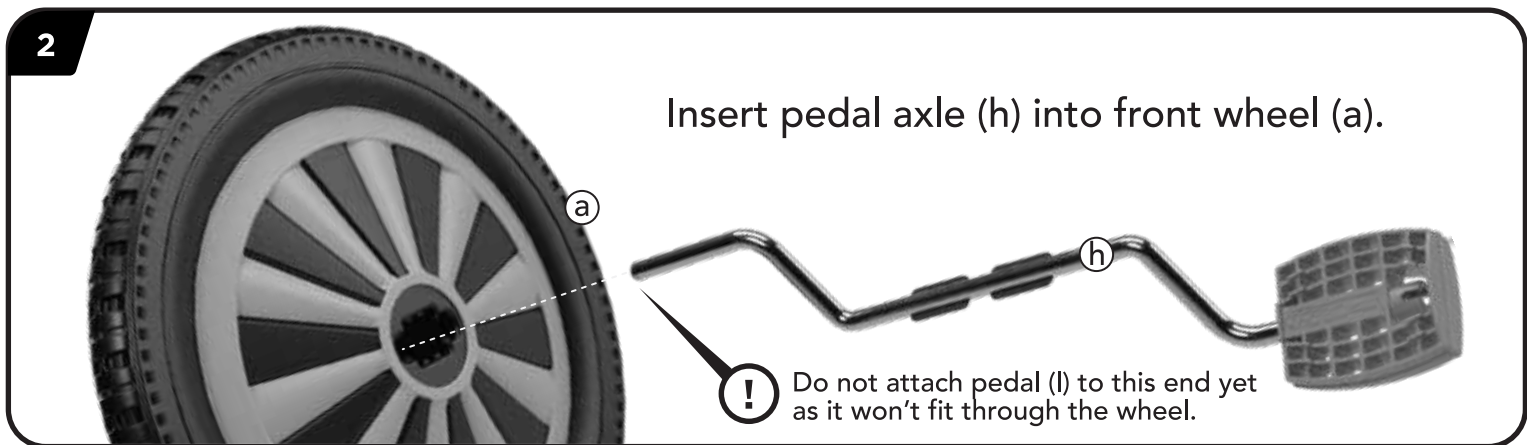
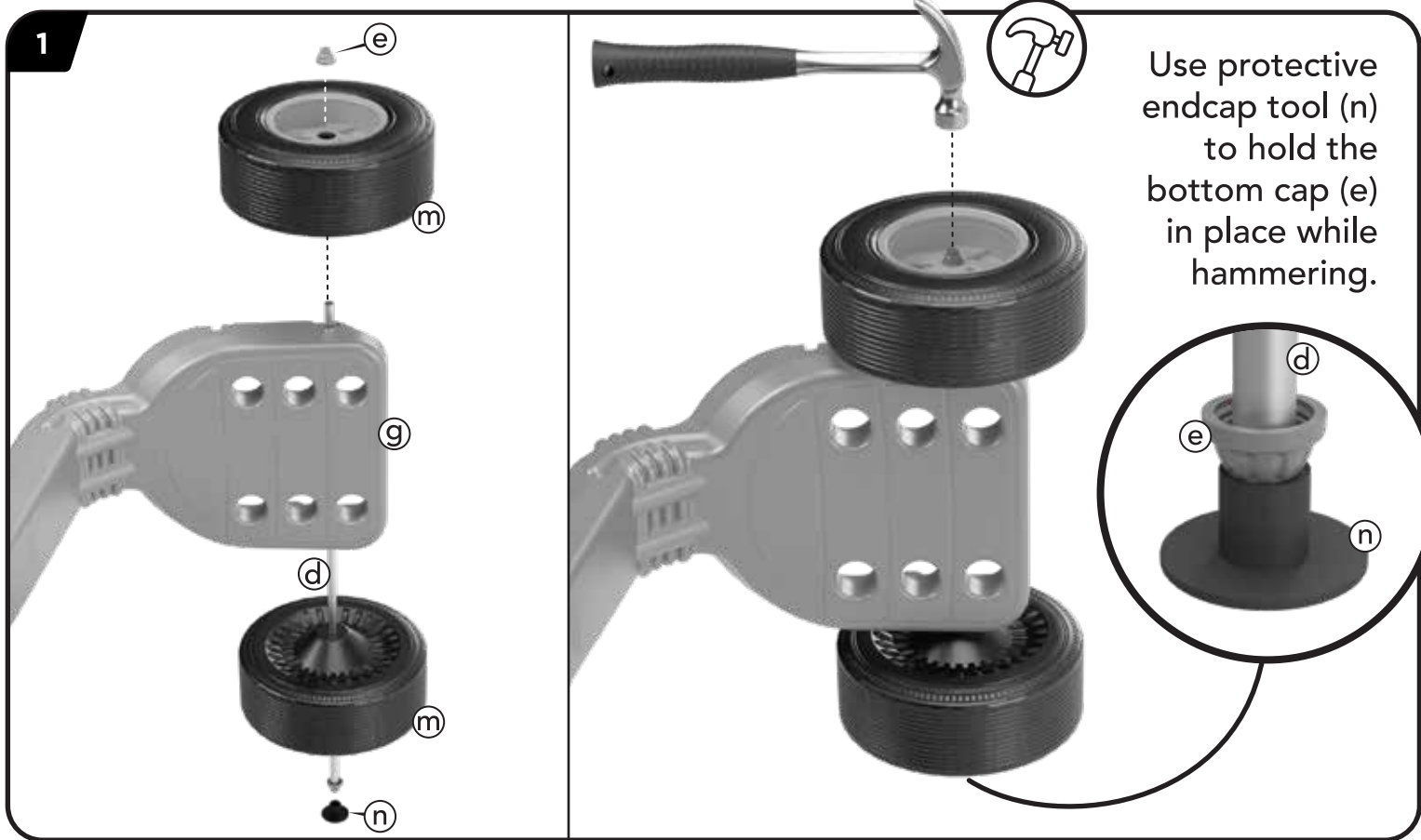
Adult supervision required. Never use near motor vehicles. Never use near streets, swimming pools, hills, steps or sloped driveways. Always wear shoes when using this product. Never allow more than 1 rider. Check product regularly for excessive wear or damage. If product is damaged, discard immediately. Always wear a properly fitted helmet that complies with U.S. Consumer Product Safety Commission (CPSC) standards. 16 CFR 1203. (Helmet Not Included).

WARNING: ADULT ASSEMBLY REQUIRED.

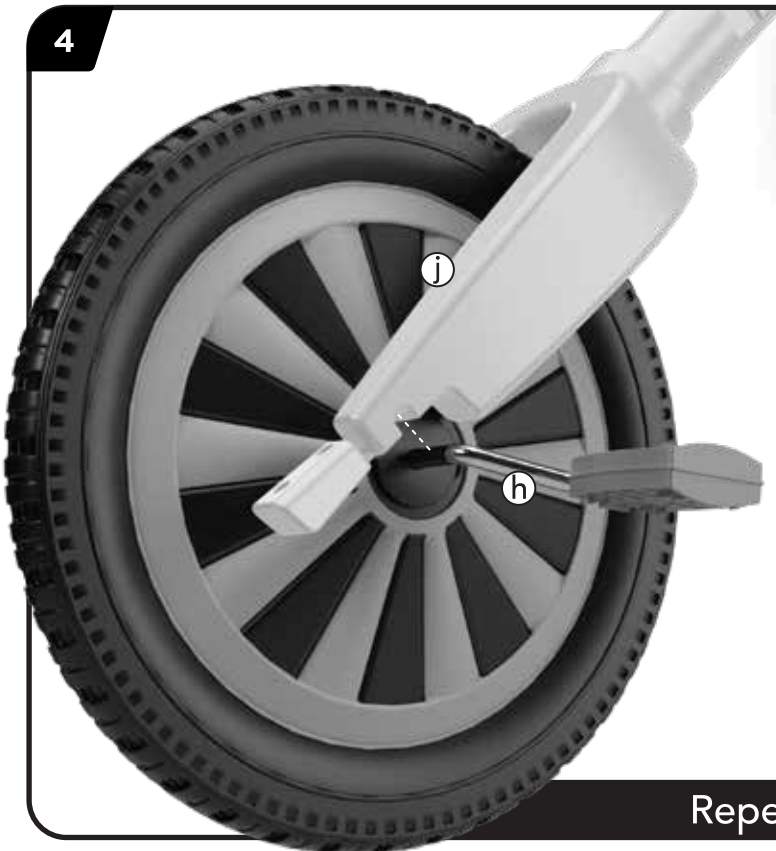
Choking hazard to children under the age of 3 years - contains small parts prior to assembly. Product contains small parts with potentially sharp points and edges. Keep away from children prior to assembly. Conforms to safety requirements of ASTM F963 and ANSI Z315.1 Hammer, Phillips Head screwdriver and Wrench/Pliers required for assembly. (Not included).

Weight Limit: 70lbs

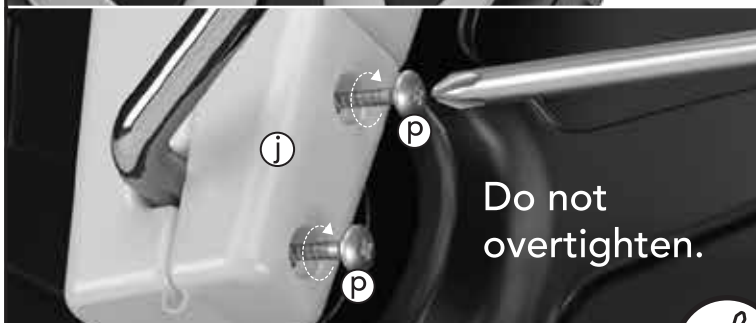
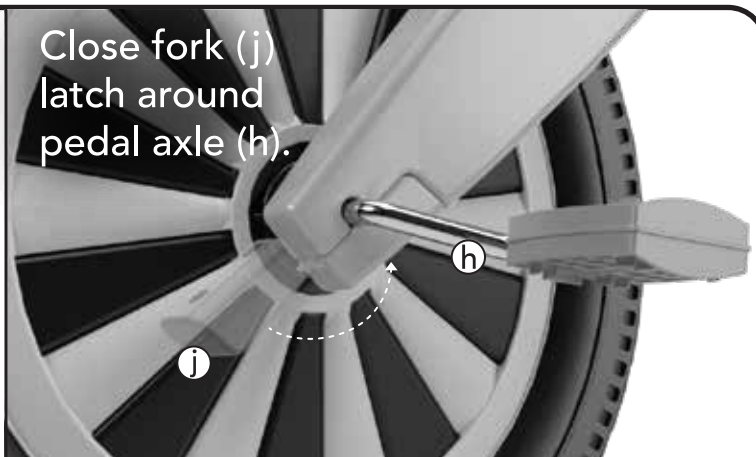
Big Wheel® is a trademark of Schylling Inc. ©2022. All Rights Reserved.



4



Close fork (j) latch around pedal axle (h).



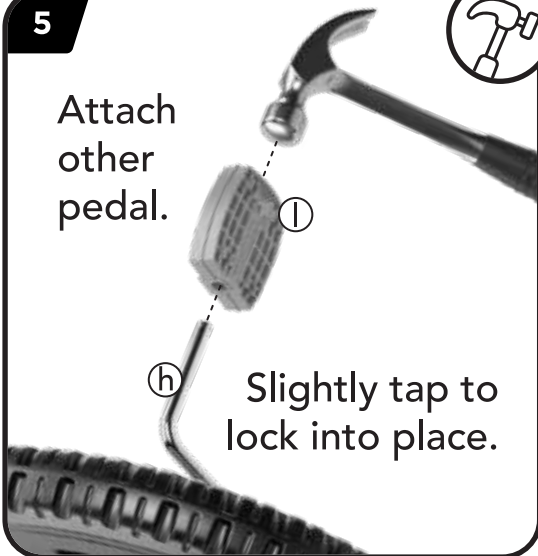
Do not overtighten.

Repeat for other side of fork.



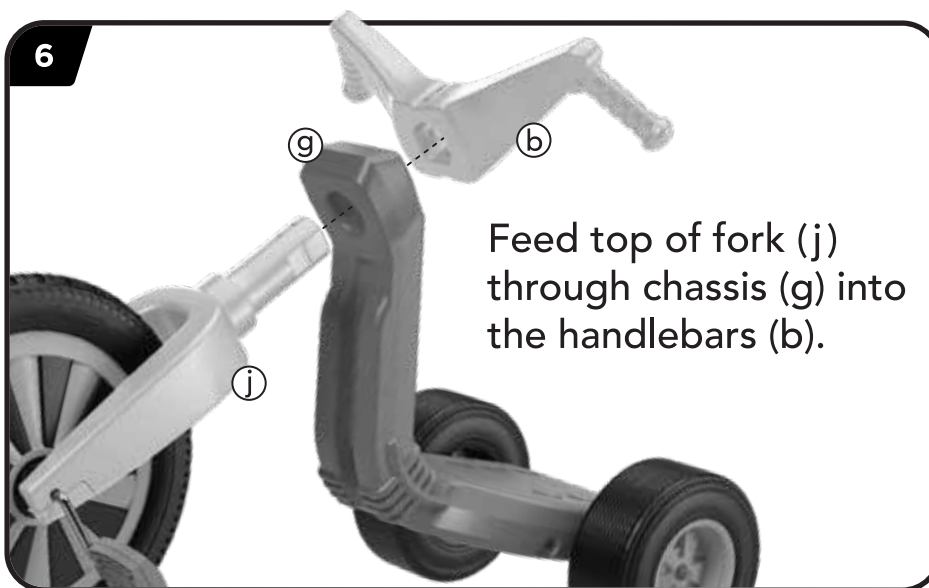
5

Attach other pedal.



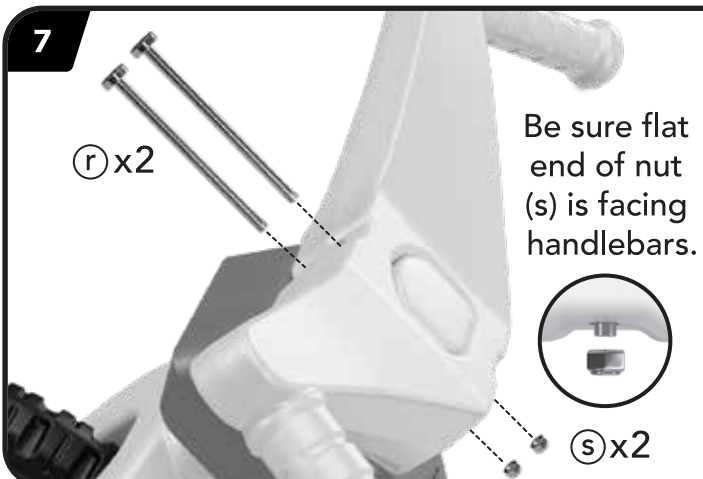
Slightly tap to lock into place.

6

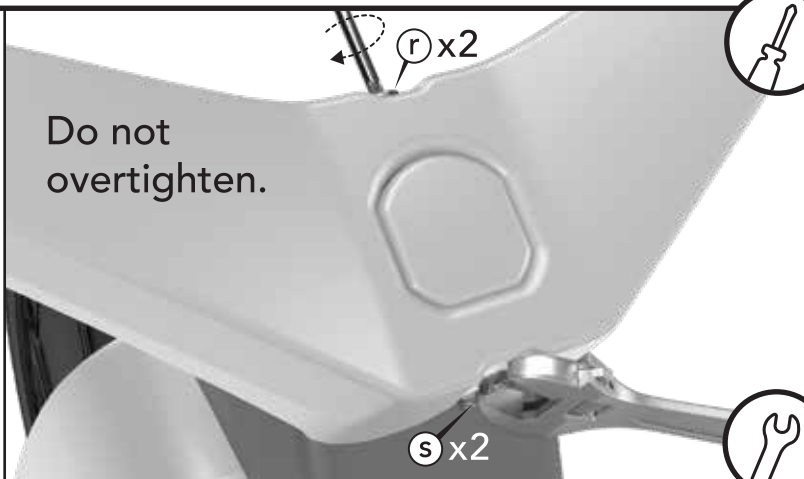


Feed top of fork (j) through chassis (g) into the handlebars (b).

7



Be sure flat end of nut (s) is facing handlebars.



Do not overtighten.



